

# FLOORING TRADE DEPOT FLOORING SPECIALISTS



**AUTEX**   
Interior Acoustics

**Flooring Trade Depot**

19 Wilson Street

Royal Park SA 5014

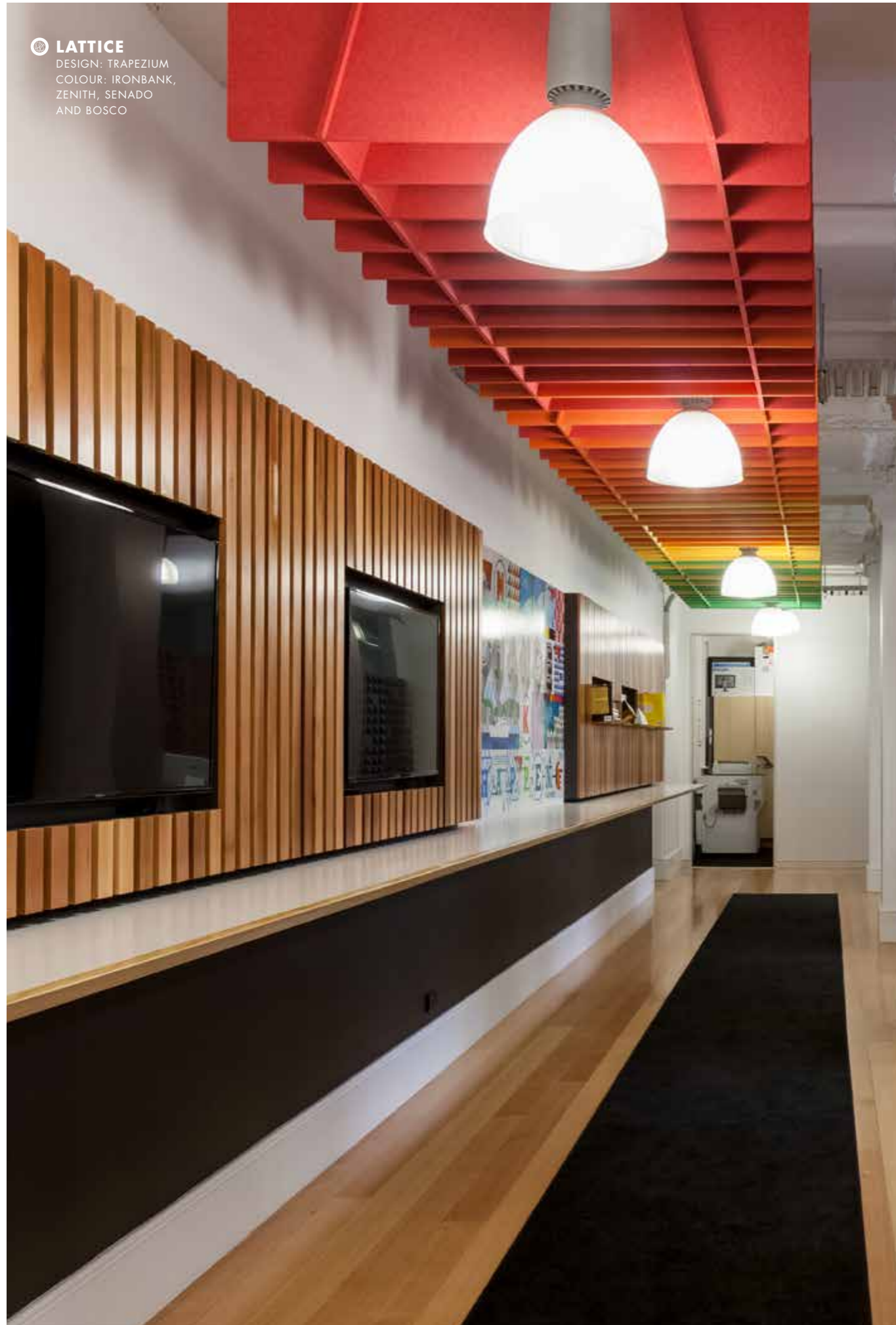
Phone 08 8447 2111

[www.flooringtradedepot.com.au](http://www.flooringtradedepot.com.au)

# LATTICE SUSPENDED BAFFLES



**LATTICE**  
DESIGN: TRAPEZIUM  
COLOUR: IRONBANK,  
ZENITH, SENADO  
AND BOSCO



## LATTICE

Lattice is a master at controlling the echo of background chatter and reducing reverberated noise whilst adding a unique piece to any space.

Lattice offers incredible performance by using fins. Because noise operates in different frequencies the various shapes of Lattice are designed to tune into and cut out the babble. Lattice is available in 3 ready to go styles but our design team can create bespoke fins and shapes for your challenge. Lattice is available in a wide range of colours.

But Lattice doesn't only look good, it's high performing as well; specifically designed to reduce and control echo creating a more focused and productive space.

Just like the rest of our range, durability, longevity and performance are assured, leaving nothing left but your creative license.

# LATTICE

## APPLICATIONS

- Decorative and functional acoustic absorption system for office, education, retail, hospitality and commercial interiors
- Minimise noise in the interior environment and create a unique aesthetic

## SPECIFICATION

Suspended acoustic absorption system shall be Lattice from thermally bonded polyester containing not less than 45% recycled material as manufactured by Autex. [www.autexindustries.com](http://www.autexindustries.com)

Suspended acoustic absorber Autex Eclipse / Autex Torus / Autex Trapezium, color (L), sound absorption Class A, NRC 1.00 – if direct fixed to ceiling: Class A, NRC 1.00. Fire rating ASTM E-84-14: Class A, FS:0 - SD:45, ISO 9705: Classification: Group 1-S, AS ISO 9705 – 2003, Classification: Group 1, EN13501-1:2007+A1:2009: B - s2, d2.

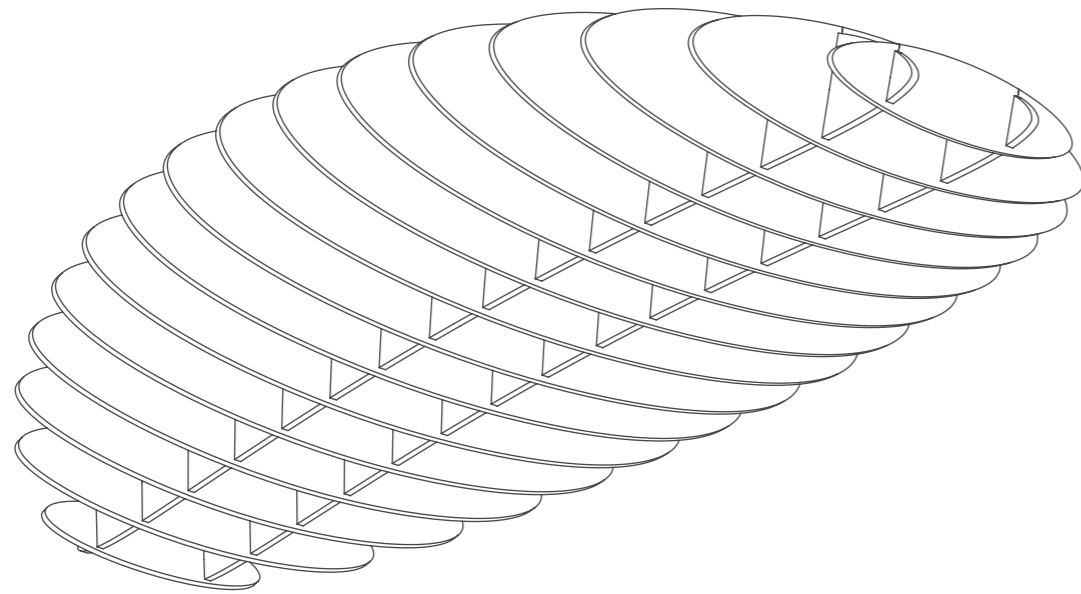
Lattice to be supplied unassembled with 4 x 1m galvanised cables, 4 x ceiling mounts, 4 x "Velda" cable clips, 4 x alloy tube inserts. Install as per Autex Lattice (Eclipse, torus, trapezium) Install Instructions.

Suspended acoustic absorber 1450 x 1450 x 293mm (nom. depth), color (L). Fire rating ASTM E-84-15a: Class A, FS:0 - SD:45, ISO 9705: Classification: Group 1-S, AS ISO 9705 – 2003. Classification: Group , EN1350-1: 2007 + A1: 2009: B-s2, d2.

Lattice to be supplied unassembled with 8 x 1m galvanised cables, 8 x ceiling mounts, 8 x "Velda" cable clips. Install as per Autex Lattice Install Instructions.

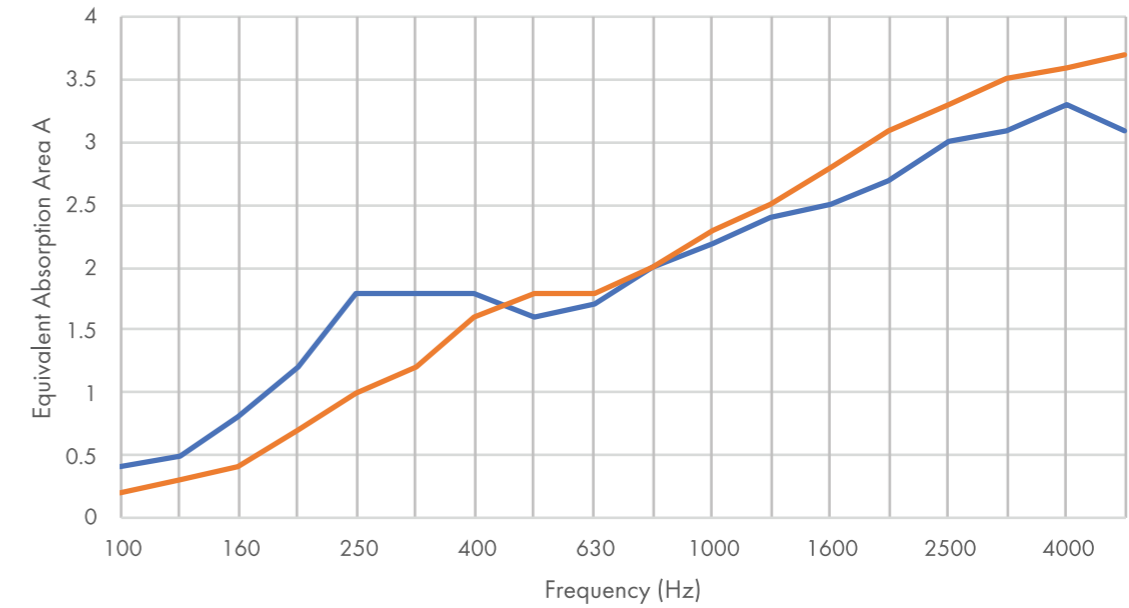


# LATTICE DESIGN OPTIONS



DESIGN ECLIPSE COLOUR SEE PAGE 17 FOR FULL COLOUR RANGE

## EQUIVALENT ABSORPTION AREA ACCORDING TO ISO 354



Frequency (Hz)	University of Auckland Test Report Number	125	250	500	1000	2000	4000	Metric Sabine Per Unit
Lattice Eclipse 12mm Direct Fix	T1420-1	0.6	1.6	1.7	2.2	2.8	3.2	2.10
Lattice Eclipse 12mm Suspended 200mm	T1409-7	0.3	1.0	1.8	2.3	3.1	3.6	2.05

All results are reported in Metric Sabin - per unit. Equivalent sound absorption area according to ISO 354 Measurement of sound absorption in a reverberation room. Average Absorption (Sabins per unit) calculated at one-third octave bands centred on 250 Hz, 500 Hz, 1000 Hz and 2000 Hz. and rounded to the nearest 0.05.

### PRODUCT SPECIFICATIONS

Product Name	Lattice Eclipse
Composition	100% Polyester Fibre (PET)
Assembled Size	1197mm x 2346mm x 337mm
Tolerance	(+0.5mm) (+0.5mm) (+0.5mm)
Thickness	12mm
Tolerance	(+/-6%)
Weight	2300 GSM

### INSTALLATION

Install as per Autex recommendations. Install instructions are included in each pack or available on the website.

### ACOUSTIC PERFORMANCE

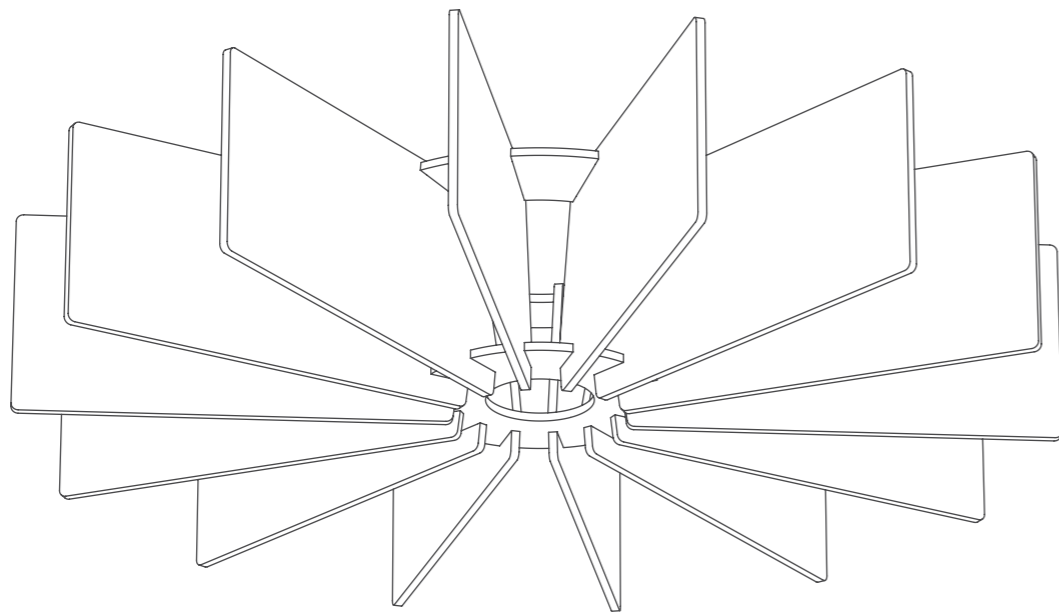
Lattice Eclipse is specifically designed to reduce and control reverberated noise (echo) in building interiors.

### LIGHT REFLECTANCE VALUES BY COLOUR

Lattice is suitable for indoor use only. LRVs were measured in accordance with BS 8493:2008+A1:2010

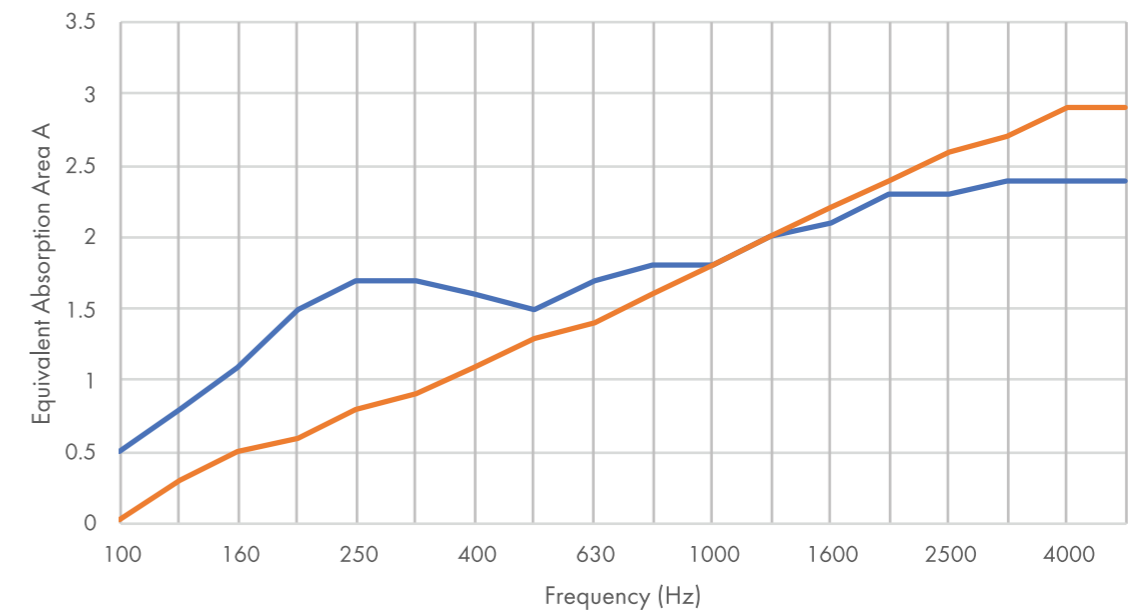
Pavilion	78	Zenith	22
Opera	49	Lotus	16
Savoye	47	Galaxy	16
Senado	45	Iron Bank	13
Rosada	45	Pinnacle	8
Acros	42	Empire	6
Falling Water	36	Tree House	3
Bosco	29	Petronas	2
Flatiron	25		

# LATTICE DESIGN OPTIONS



DESIGN TORUS COLOUR SEE PAGE 17 FOR FULL COLOUR RANGE

## EQUIVALENT ABSORPTION AREA ACCORDING TO ISO 354



Frequency (Hz)	University of Auckland Test Report Number	125	250	500	1000	2000	4000	Metric Sabine Per Unit
<b>Lattice Torus 12mm Direct Fix</b>	T1420-2	0.8	1.7	1.6	1.9	2.3	2.4	<b>1.85</b>
<b>Lattice Torus 12mm Suspended 200mm</b>	T1420-2	0.3	0.8	1.3	1.8	2.4	2.9	<b>1.60</b>

All results are reported in Metric Sabine - per unit. Equivalent sound absorption area according to ISO 354 Measurement of sound absorption in a reverberation room. Average Absorption (Sabins per unit) calculated at one-third octave bands centred on 250 Hz, 500 Hz, 1000 Hz and 2000 Hz, and rounded to the nearest 0.05.

### PRODUCT SPECIFICATIONS

Product Name	Lattice Torus
Composition	100% Polyester Fibre (PET)
Assembled Size	1450mm x 1450mm x 293mm
Tolerance	(+0.5mm) (+0.5mm) (+0.5mm)
Thickness	12mm
Tolerance	(+/-6%)
Weight	2300 GSM

### INSTALLATION

Install as per Autex recommendations. Install instructions are included in each pack or available on the website.

### ACOUSTIC PERFORMANCE

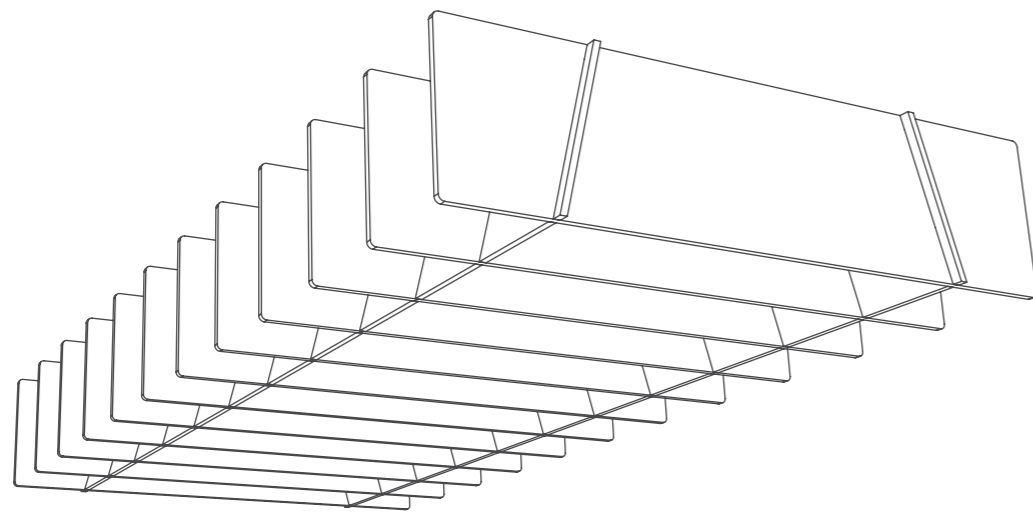
Lattice Torus is specifically designed to reduce and control reverberated noise (echo) in building interiors.

### LIGHT REFLECTANCE VALUES BY COLOUR

Lattice is suitable for indoor use only. LRVs were measured in accordance with BS 8493:2008+A1:2010

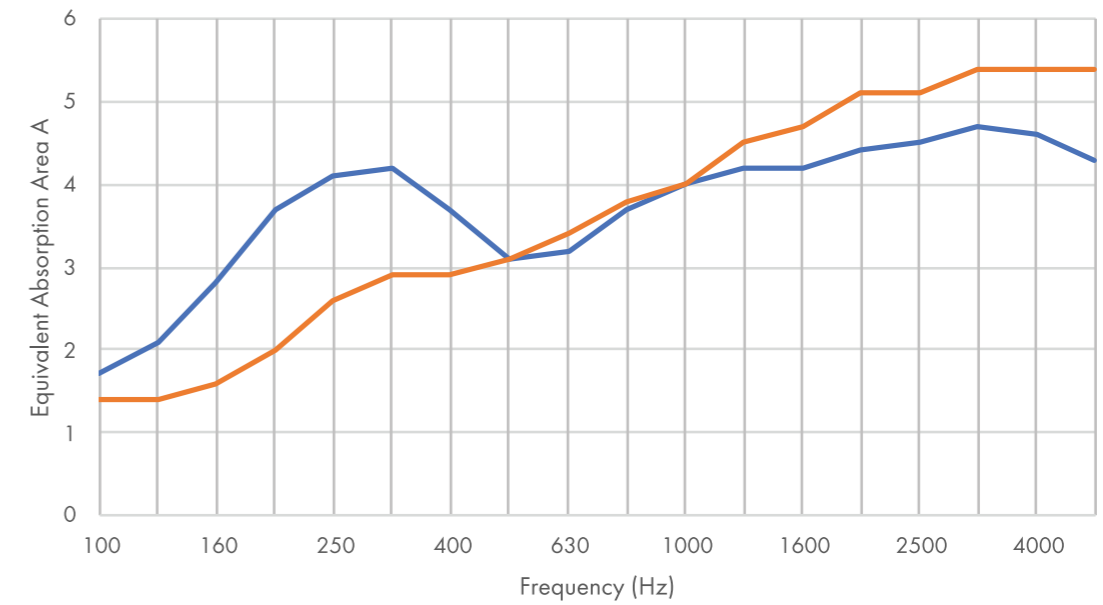
Pavilion	78	Zenith	22
Opera	49	Lotus	16
Savoye	47	Galaxy	16
Senado	45	Iron Bank	13
Rosada	45	Pinnacle	8
Acros	42	Empire	6
Falling Water	36	Tree House	3
Bosco	29	Petronas	2
Flatiron	25		

# LATTICE DESIGN OPTIONS



DESIGN TRAPEZIUM COLOUR SEE PAGE 17 FOR FULL COLOUR RANGE

## EQUIVALENT ABSORPTION AREA ACCORDING TO ISO 354



Frequency (Hz)	University of Auckland Test Report Number	125	250	500	1000	2000	4000	Metric Sabine Per Unit
<b>Lattice Trapezium 12mm Direct Fix</b>	T1326-16	2.2	4.0	3.4	4.0	4.4	4.6	<b>3.90</b>
<b>Lattice Trapezium 12mm Suspended 200mm</b>	T1326-14	1.5	2.5	3.2	4.1	5.0	5.4	<b>3.70</b>

All results are reported in Metric Sabin - per unit. Equivalent sound absorption area according to ISO 354 Measurement of sound absorption in a reverberation room. Average Absorption (Sabins per unit) calculated at one-third octave bands centred on 250 Hz, 500 Hz, 1000 Hz and 2000 Hz, and rounded to the nearest 0.05.

### PRODUCT SPECIFICATIONS

Product Name	Lattice Trapezium
Composition	100% Polyester Fibre (PET)
Assembled Size	1180mm x 2380mm x 290mm
Tolerance	(+0.5mm) (+0.5mm) (+0.5mm)
Thickness	12mm
Tolerance	(+/-6%)
Weight	2300 GSM

### INSTALLATION

Install as per Autex recommendations. Install instructions are included in each pack or available on the website.

### ACOUSTIC PERFORMANCE

Lattice Trapezium is specifically designed to reduce and control reverberated noise (echo) in building interiors.

### LIGHT REFLECTANCE VALUES BY COLOUR

Lattice is suitable for indoor use only. LRVs were measured in accordance with BS 8493:2008+A1:2010

Pavilion	78	Zenith	22
Opera	49	Lotus	16
Savoye	47	Galaxy	16
Senado	45	Iron Bank	13
Rosada	45	Pinnacle	8
Acros	42	Empire	6
Falling Water	36	Tree House	3
Bosco	29	Petronas	2
Flatiron	25		

LATTICE  
DESIGN: CUSTOM  
COLOUR: FLATIRON





#### FIRE RATINGS

Lattice is a value-added product made from Autex Cube™ acoustic panels as the base material. Cube™ (12mm) has been evaluated using the following test methods:

##### ISO 9705: 1993

Classification: Group 1-S  
Smoke Production Rate: <5.0m<sup>2</sup>/s  
As required by NZBC C/VM2

##### AS ISO 9705 - 2003

Classification: Group 1  
(SMOGRARC): <100m<sup>2</sup>/s<sup>2</sup>  
Assessed using methodology AS ISO 9705 - 2003 in accordance with AS 5637.1:2015, as required by BCA Specification C1.104  
FI 4974 dated 16th September, 2012 and FAR 4055-2 dated 8th October 2013

##### EN13501-1:2007+A1:2009

B - s2, d2  
WF336911 dated 25th February 2014

##### ASTM E-84-15a

Class A, FS:0 - SD:45  
RJ4479-2 dated 25th January, 2015

#### VOC EMISSIONS

Autex polyester has been tested for chemical emissions in accordance with ASTM D5116 and is considered as a low VOC product.

VOC concentration: 0.009 mg/m<sup>3</sup> (7 days)

#### WATER VAPOUR SORPTION

ASTM C1104 / C1104M-13a

Test conditions: 49°C, 95%RH

Water vapour absorbed and adsorped after 4 days: 0.4% by weight

#### MICROBIAL RESISTANCE

ASTM G21-15

Growth Rating: 0 (No growth)

Lattice Eclipse does not promote the growth of moulds and mildew.

#### COLOUR FASTNESS TO LIGHT

Lattice is suitable for indoor use only. Light fastness is dependent on use and exposure. Lattice Eclipse has been evaluated to the following standard:

ISO 105-B02:2014

Rating: 6 (Highest = 7)

#### COLOUR FASTNESS TO RUBBING

ISO 105-X12:2016

Dry Rating: 4-5 (Highest = 5)

Wet Rating: 4-5 (Highest = 5)

#### PATTERN REPEAT

Non-woven. No pattern repeat but product has directional grain. Product may vary from samples and batch to batch due to fibre blending and lay-up which is an inherent feature of this product.

#### FABRIC CARE

Blot spills from fabric quickly. Wipe with a damp cloth. Avoid rubbing and excessive amounts of water as this will affect the finish. Use carpet or upholstery shampoo as directed. Blot with a clean dry cloth after each application of solution.

Custom printed Cube™ requires the services of a specialist cleaning company.

Refer to the Lattice Cleaning and Maintenance Guide for more information.

#### ENVIRONMENTAL

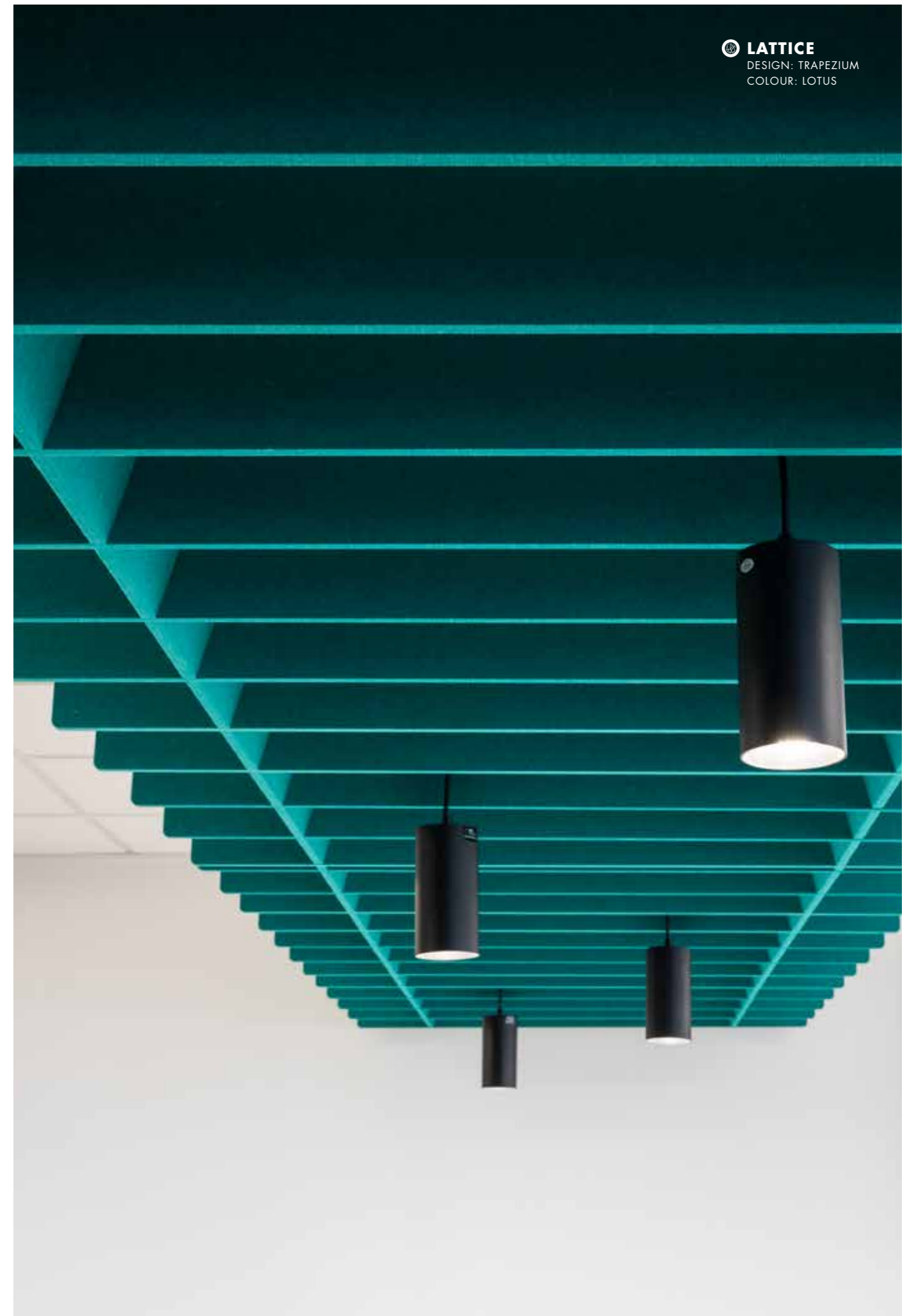
Autex is committed to best practice through our ISO 9001 and ISO 14001 certified Quality and Environmental Management Systems.

Lattice contains a minimum of 45% previously recycled polyester fibre (from PET bottle-flake). Off-cuts and manufacturing waste are re-used or recycled wherever possible.

Lattice is manufactured from 100% polyester fibres and does not contain formaldehyde binders. Autex polyester fibres support safer indoor air quality and will not become a potential airborne pollutant.

#### SERVICE

For further information about Lattice Eclipse, Autex Cube™ or any other Autex product, please contact your Autex account manager or visit our website.



**LATTICE**  
 DESIGN: ECLIPSE,  
 COLOUR: FLATIRON,  
 FALLING WATER,  
 PINNACLE AND ZENITH



## COLOUR OPTIONS



MOQ's apply to some colours. To find out more, or to order a sample, please contact your Account Manager or visit our website.



## CARING FOR THE ENVIRONMENT

Lattice is manufactured using 100% polyester fibre and contains a minimum of 45% recycled fibre (from PET plastics). Our products are designed to be recycled at the end of their life too.

We have continual improvement programmes in which we implement a range of initiatives to mitigate the environmental 'hotspots' that we have identified. Our products are GreenRate Level A, LCARate Gold and PHD level platinum certified.

Lattice is made from Cube™ which is Declare<sup>™</sup> certified to be Red List free and can be used in Living Building Challenge projects. Autex has a high functioning Environmental Management System (ISO 14001) to enhance our environmental performance and contribute to sustainable development.



Declare.

